

MUSHINI WEKUOMESA ZVEKUDYA UNOSHANDISA ZUVA (SOLAR DRYER)

Mushini usingadhuri wekuomesa zvekudya unoshandisa zuva unogona kugadzirwa pamba kana nenyanzvi dziri pedyo.

Unogadzirwa newaya yakarukwa yoiswa mumatireyi ari muchigadzirwa chemapuranga chakafukidzwa nemaplastic anoonekera.

Pasi pechigadzirwa chekuomesa zvekudya chinoshandisa zuva ichi pakakura 10 m² huye chinogona kuomesa makilogiramu makumi maviri kusvika pamakumi matatu nemashanu ezvirimwa zvichangobva mumunda (zvichienderana nekuti chii) kwenguva inotangira pamazuva matatu kusvika pamana.

Unogona kugadzira mushini mudiki wekuomesa zvekudya zvichienderana nemari yaunayo, magadziriro huye nekuti mushini uri kuda kushandiswa chii (kushandisa zvemhuri here kana zvekutengesha).

Kuisa zvinhu mumatireyi

Matireyi anofanira kugezwa ochena usati wamashandisa nemushure mekuashandisa kuitira kubvisa tsvina yemuriwo, michero nenyama kana huruva nehutachiwana.

Zvinodiwa pakugadzira mushini wekuomesa zvekudya nezuva

Mushini wekuomesa zvekudya wezera re 2.5x1.085x1.4 meters (kufara x hupamhi x kureba) (LxWxH).

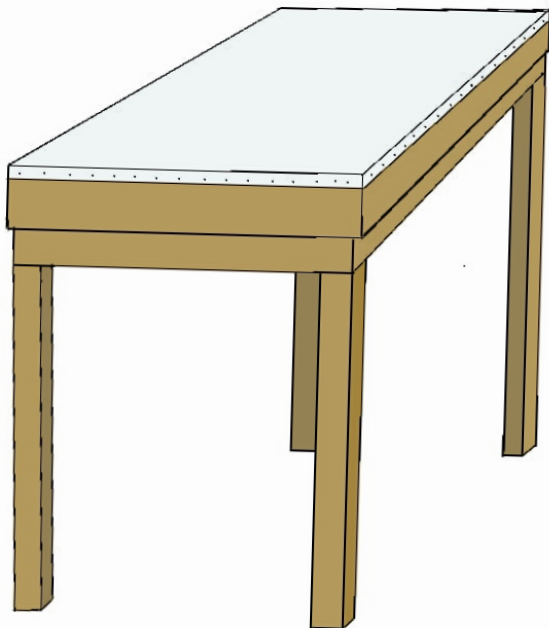
Zvinodiwa

Mapuranga: 2.5x1.085x1.4 meters

Plastic rinoonekera: 2.6mx1.44 meters (kufara x hupamhi) (LxW)

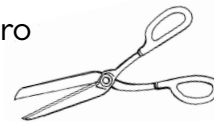
0.77x0.21x9.21 meters (kufara x hupamhi x kureba) (LxWxH)
patireyi imwechete.

Solar Dryer (complete)

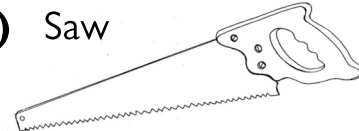


Zvinoshandiswa pakugadzira mushini wekuomesa zvekudya unoshandisa zuva (dryer) ndezvinotevera:

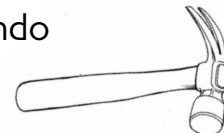
i) Chigero



ii) Saw



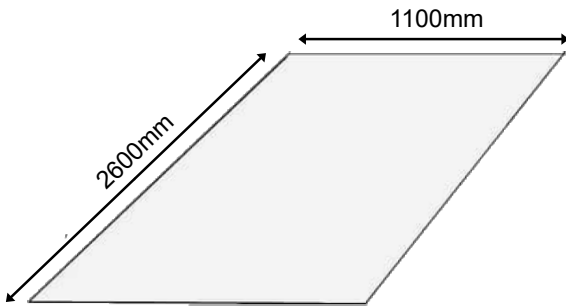
iii) Sando



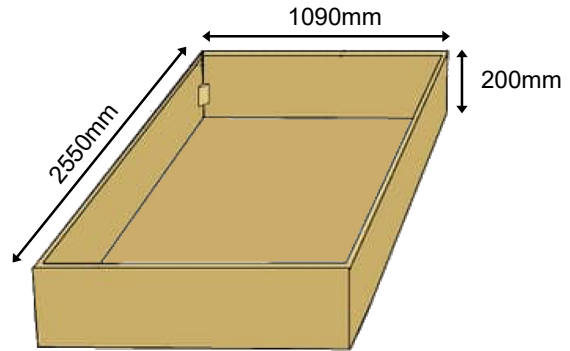
iv) Zvipikiri



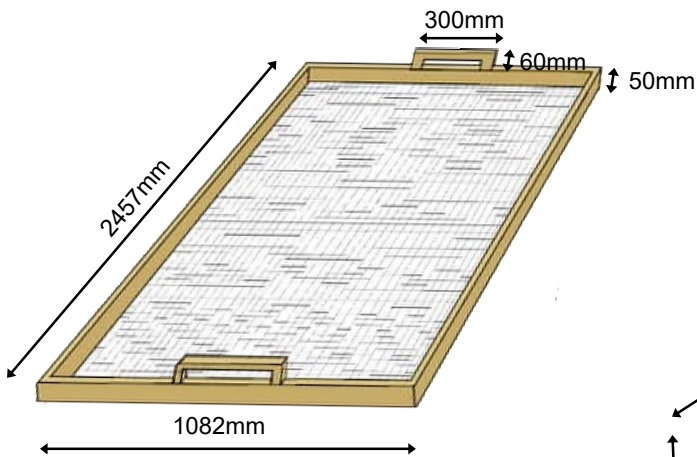
1. Purasitiki inoonesa rimwe divi/rakajeka



2. Feremu yepuranga rekuvhara



3. Waya mesh



4. Bhesi rinotakura mushini wekuomesa zvokudya

